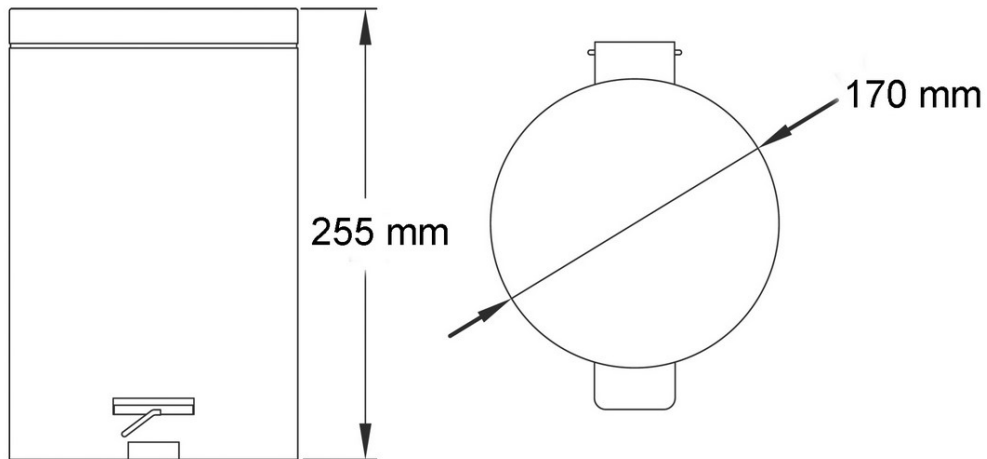




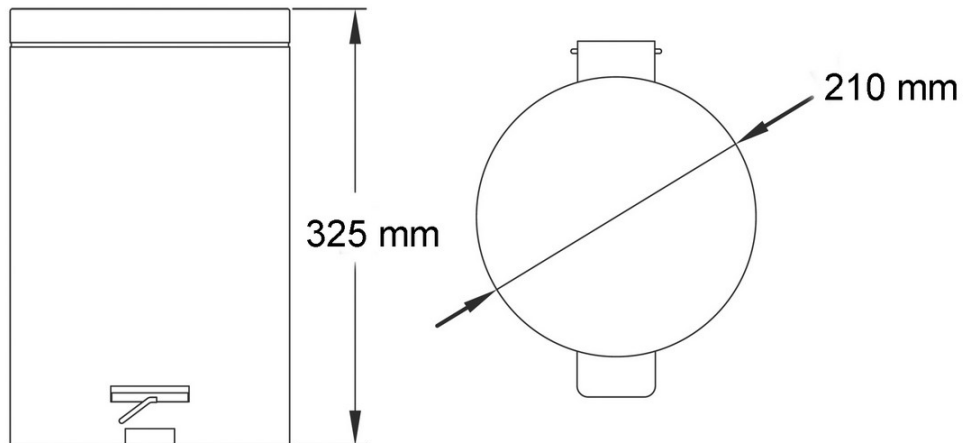
SPECIFICATION SHEET



Manufacturer	MEDICLINICS-SPAIN
Model	PEDAL CIRCULAR BIN
Description	PEDAL-OPERATED CIRCULAR BIN 3L CAPACITY
Finish	WHITE EPOXY STEEL / BRIGH ST ST / SATIN ST ST
Article Code	PP1303 / PP1303C / PP1303CS



SPECIFICATION SHEET



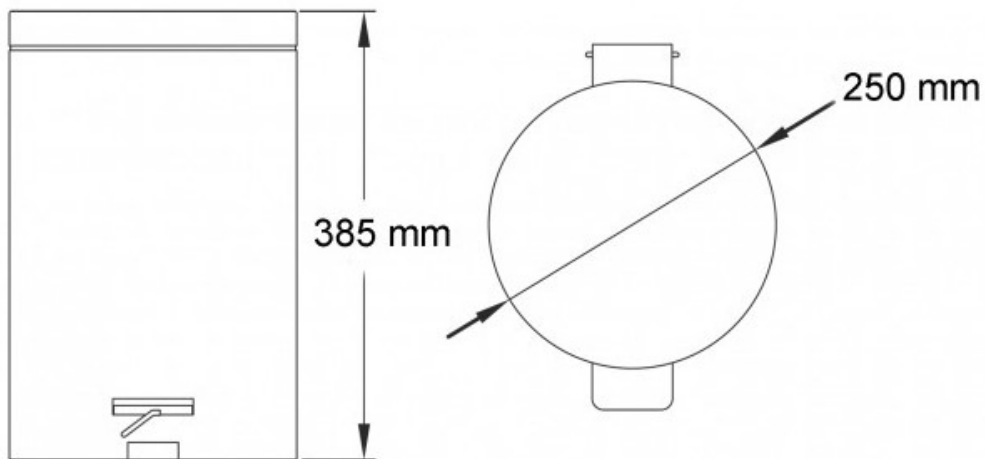
Manufacturer	MEDICLINICS-SPAIN
Model	PEDAL CIRCULAR BIN
Description	PEDAL-OPERATED CIRCULAR BIN 5L CAPACITY
Finish	WHITE EPOXY STEEL / BRIGH ST ST / SATIN ST ST
Article Code	PP1305 / PP1305C / PP1305CS



الركن الأوروبي
ش.ذ.م.م.
EUROPEAN CORNER LLC

Al Wadi Building, Sheikh Zayed Road
P. O. Box 31840, Dubai
United Arab Emirates
Showroom Tel: +971 4 3356315
Office Tel: +971 4 3360601
Fax: +971 4 3360604
E-mail: gm@europeancorner-dubai.com

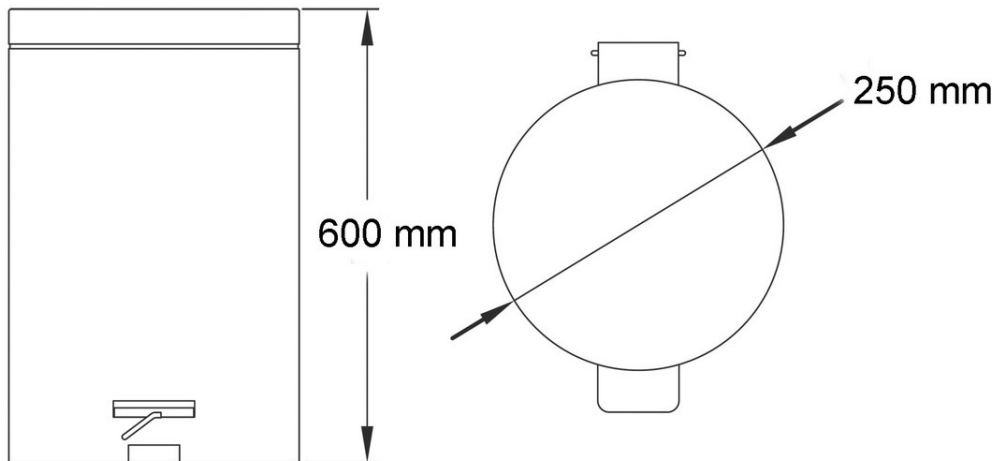
SPECIFICATION SHEET



Manufacturer	MEDICLINICS-SPAIN
Model	PEDAL CIRCULAR BIN
Description	PEDAL-OPERATED CIRCULAR BIN 12L CAPACITY
Finish	WHITE EPOXY STEEL / BRIGH ST ST / SATIN ST ST
Article Code	PP1312 / PP1312C / PP1312CS



SPECIFICATION SHEET



Manufacturer	MEDICLINICS-SPAIN
Model	PEDAL CIRCULAR BIN
Description	PEDAL-OPERATED CIRCULAR BIN 20L CAPACITY
Finish	WHITE EPOXY STEEL / BRIGH ST ST / SATIN ST ST
Article Code	PP1321 / PP1321C / PP1321CS