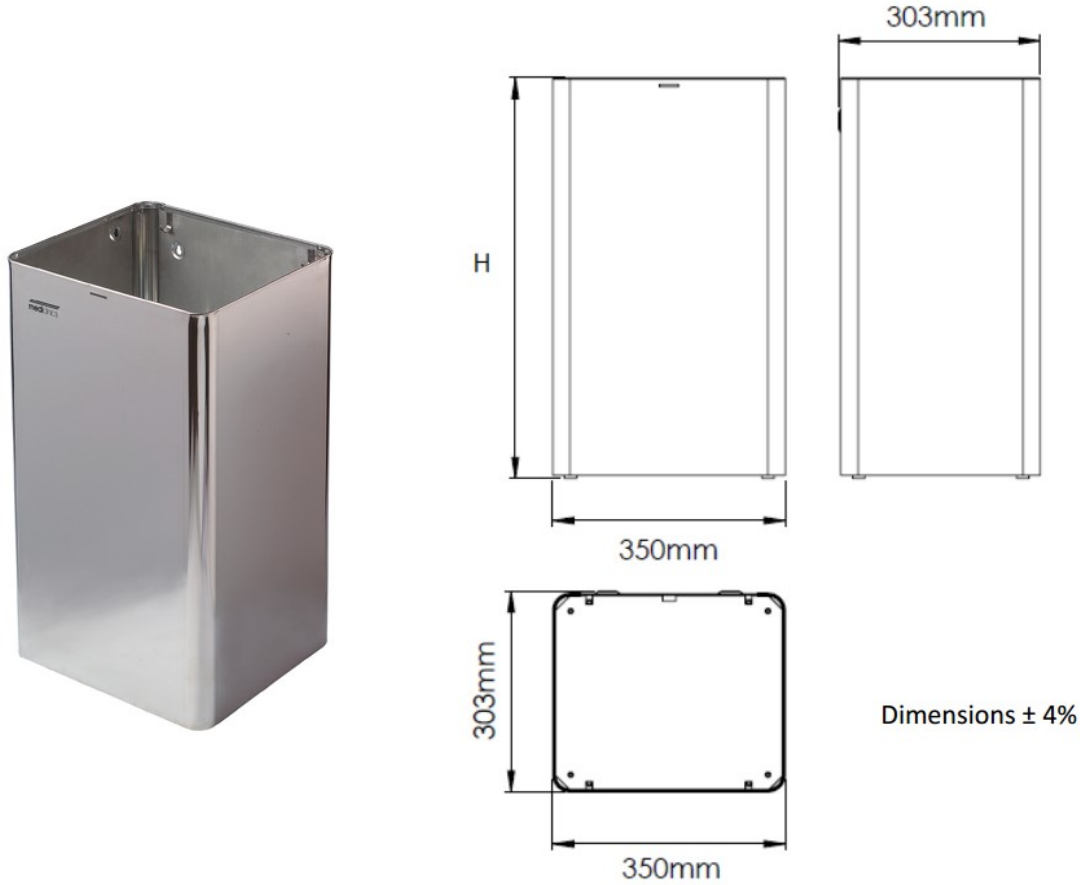




SPECIFICATION SHEET



Model	Capacity (L)	Weight (Kg)	H (mm)	Body thickness (mm)
PP1065	65	7.0	605	1.0
PP1065C				
PP1065CS				
PP1080	80	8.4	755	
PP1080C				
PP1080CS				

Manufacturer	MEDICLINICS-SPAIN
Model	OPEN WASTE RECEPTACLE
Description	OPEN WASTE RECEPTACLE
Finish	WHITE EPOXY / BRIGH ST ST / SATIN ST ST