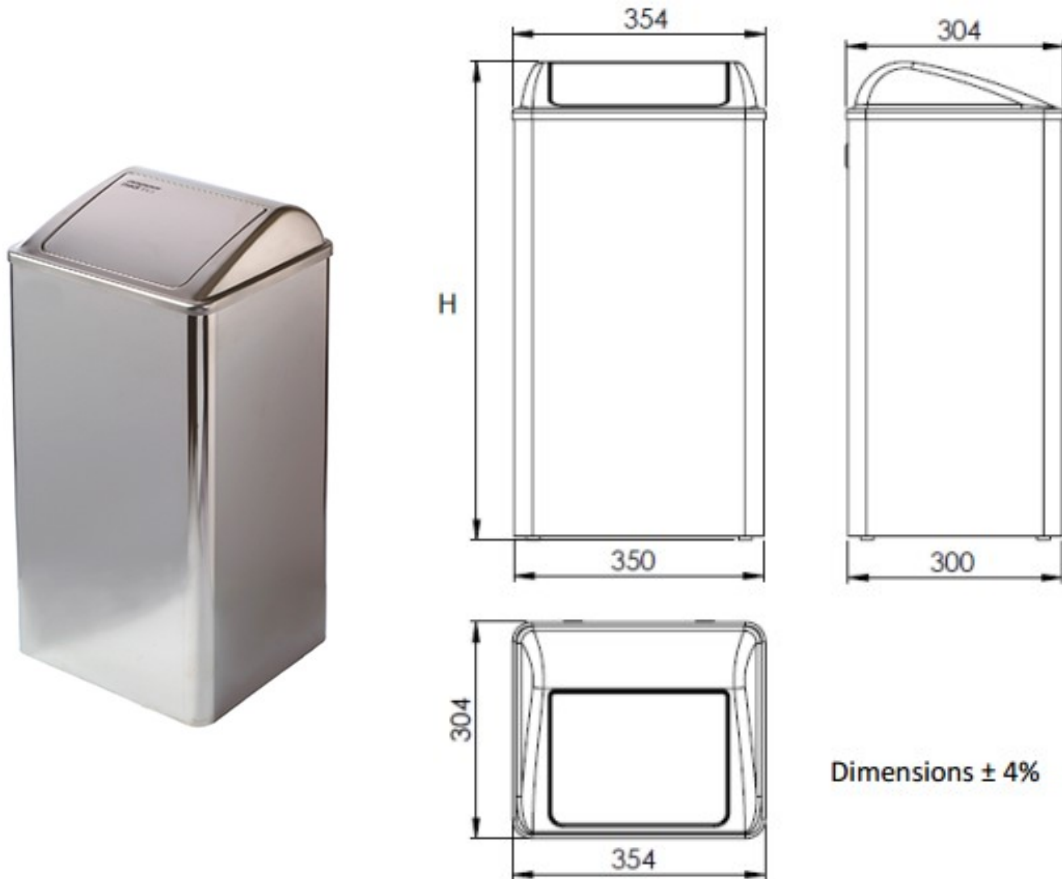




SPECIFICATION SHEET



Model	Capacity (L)	Weight (Kg)	H (mm)	Body thickness (mm)	Head lid thickness (mm)	Lid thickness (mm)
PP0065	65	8.4	673	1.0	1.2	1.0
PP0065C						
PP0065CS						
PP0080	80	9.8	823	1.0	1.2	1.0
PP0080C						
PP0080CS						

Manufacturer	MEDICLINICS-SPAIN
Model	BIN WITH SELF CLOSING LID
Description	WASTE RECEPTACLE WITH SELF-CLOSING LID
Finish	WHITE EPOXY / BRIGH ST ST / SATIN ST ST