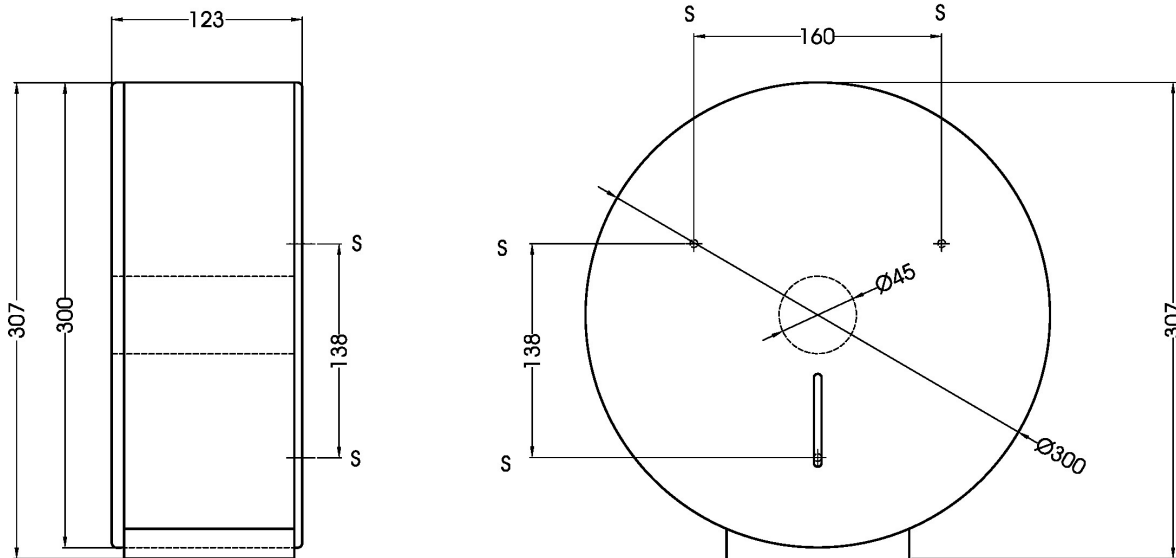




## SPECIFICATION SHEET



<b>Manufacturer</b>	MEDICLINICS-SPAIN
<b>Model</b>	INDUSTRIAL PAPER ROLL
<b>Description</b>	STANDARD TOILET PAPER DISPENSERS
<b>Finish</b>	WHITE EPOXY / BRIGHT ST ST / SATIN ST ST
<b>Article Code</b>	PR0789 / PR0789C / PR0789CS