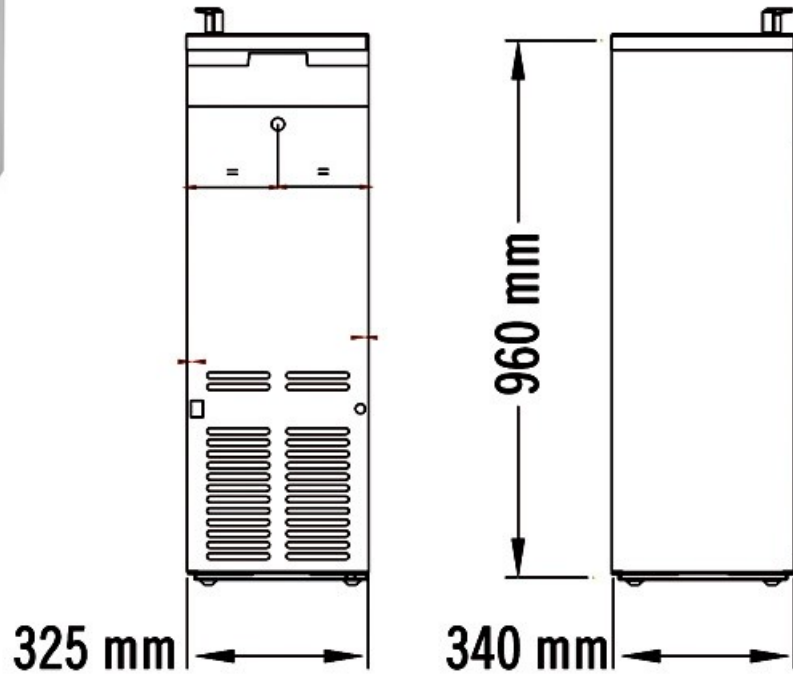




SPECIFICATION SHEET



Manufacturer	MEDICLINICS-SPAIN
Model	WATER FOUNTAIN
Description	WATER DISPENSER / FOUNTAIN
Finish	BRIGHT ST ST
Article Code	FA0015C