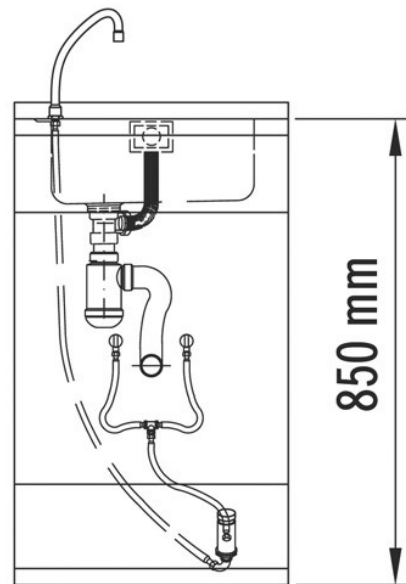
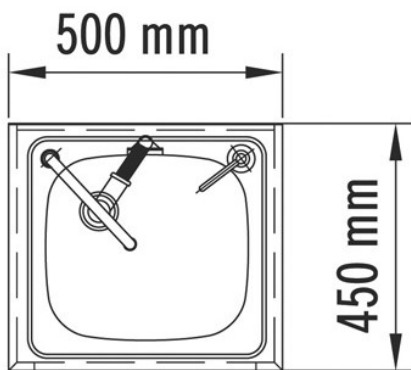




الركن الأوروبي ش.ذ.م.م.  
EUROPEAN CORNER LLC

Al Wadi Building, Sheikh Zayed Road  
P. O. Box 31840, Dubai  
United Arab Emirates  
Showroom Tel: +971 4 3356315  
Office Tel: +971 4 3360601  
Fax: +971 4 3360604  
E-mail: gm@europeancorner-dubai.com

## SPECIFICATION SHEET



<b>Manufacturer</b>	MEDICLINICS-SPAIN
<b>Model</b>	SINK WITH FOOT DRIVE
<b>Description</b>	SINK WITH FOOT DRIVE
<b>Finish</b>	SATIN ST ST
<b>Article Code</b>	SNLMP40CS