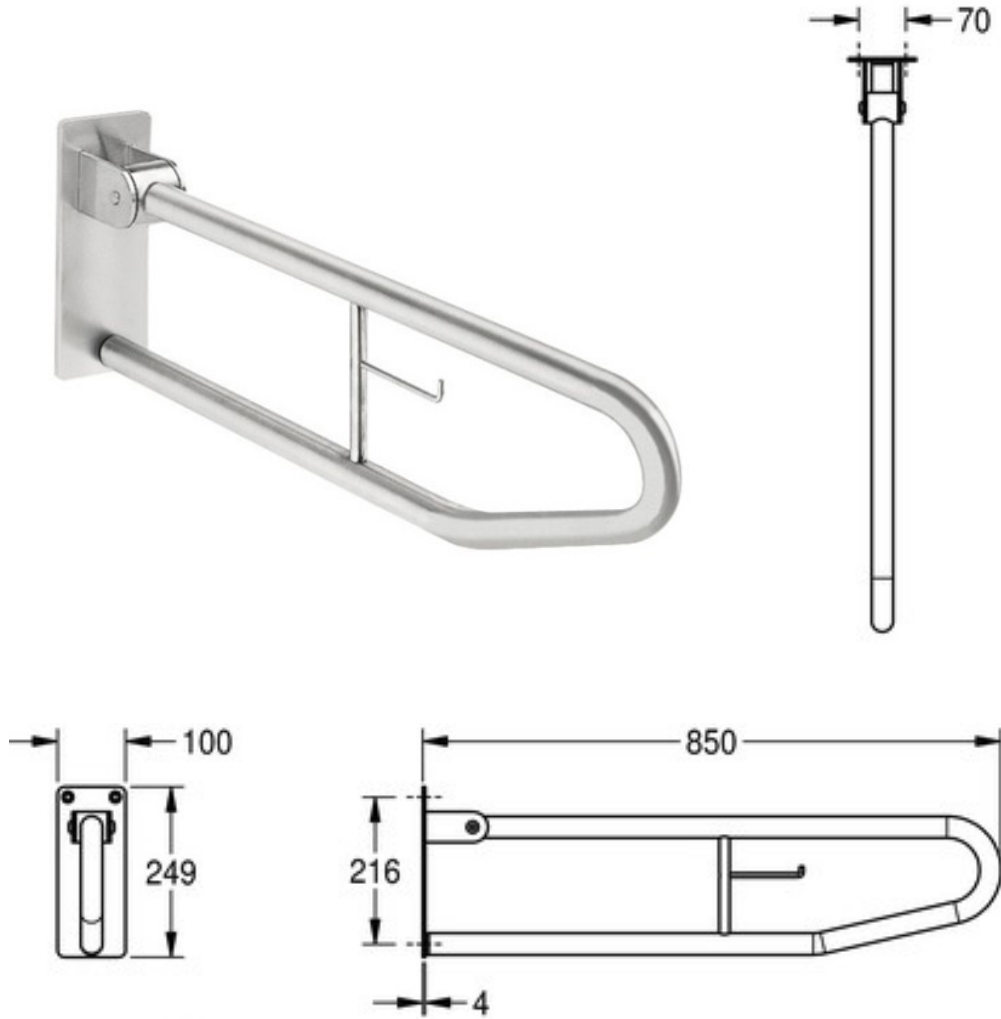




SPECIFICATION SHEET



Manufacturer	FRANKE-GERMANY
Model	CONTINA
Description	SWING UP GRAB BAR
Finish	ST ST
Article code	CNTX70A