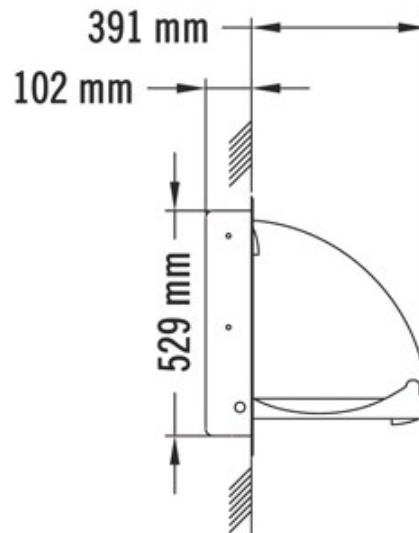
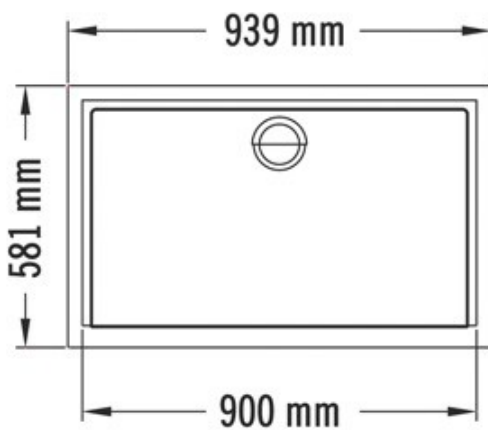




SPECIFICATION SHEET



Manufacturer	MEDICLINICS-SPAIN
Model	BABY CHANGING
Description	WALL RECESSED BABY CHANGING STATION
Finish	SATIN ST TS
Article Code	KL0025CS