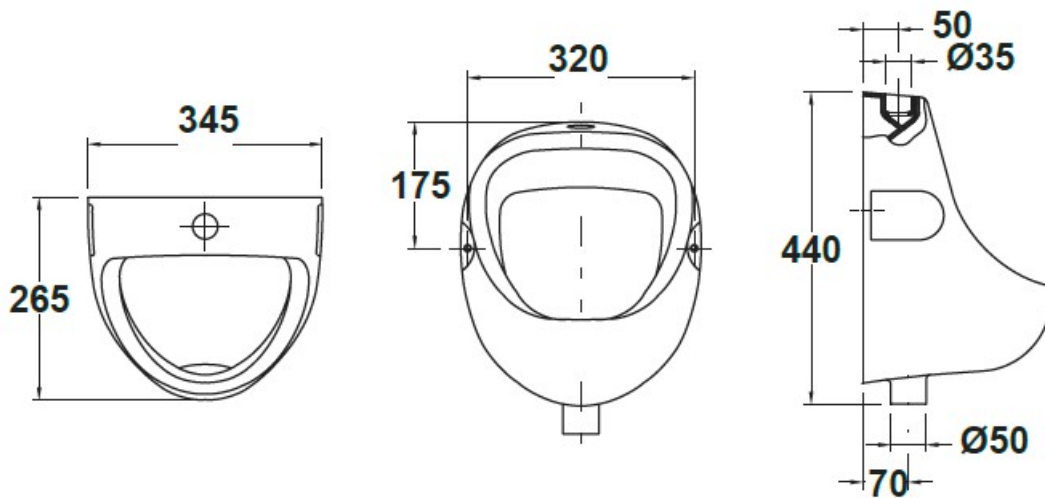




SPECIFICATION SHEET



Manufacturer	GALA GROUP OF ROCA-SPAIN
Model	EASY
Description	WALL MOUNTED URINAL
Finish	WHITE
Article Code	10119