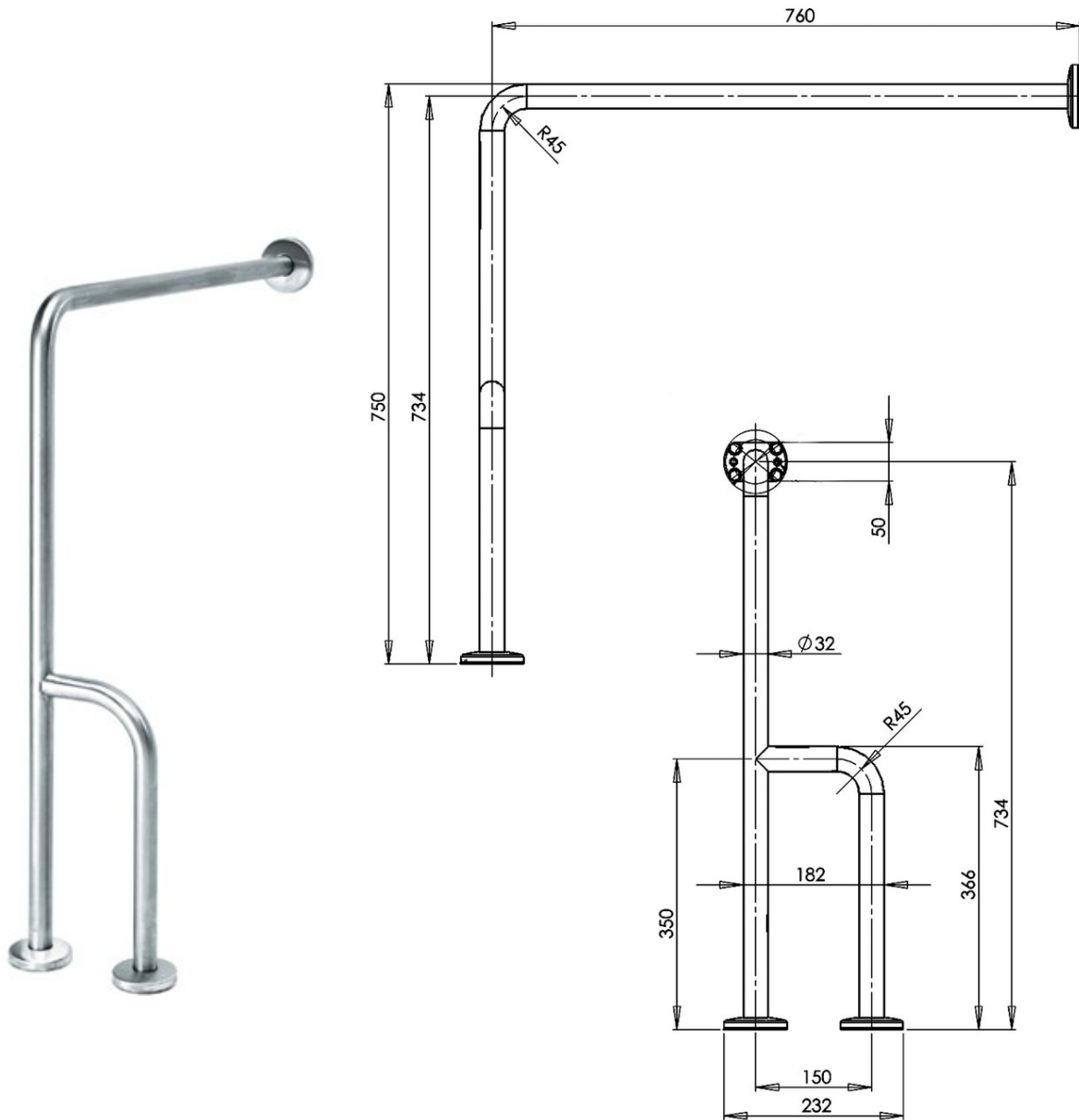




SPECIFICATION SHEET



Manufacturer	MEDICLINICS-SPAIN
Model	MEDINOX
Description	WALL / FLOOR MOUNTED GRAB BAR WITH 3 ANCHORING POINTS
Finish	BRIGHT ST ST / SATIN ST ST
Article Code	BSI020C / BSI020CS