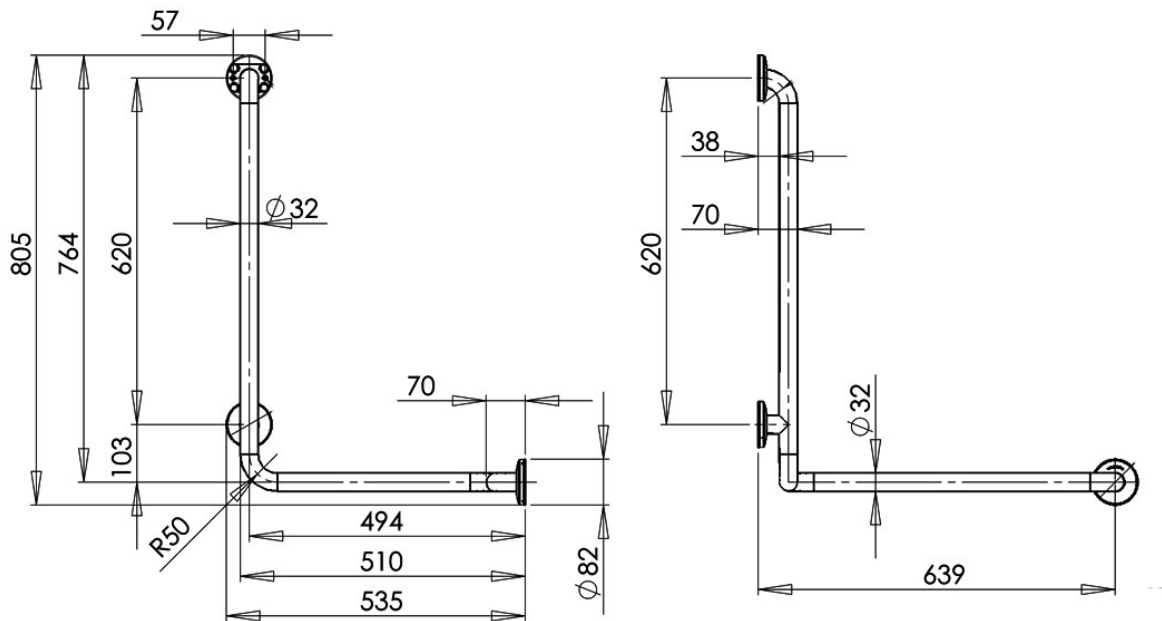




SPECIFICATION SHEET



Manufacturer	MEDICLINICS-SPAIN
Model	MEDINOX
Description	ANGLED GRAB BAR ON 2 WALLS WITH 3 ANCHORING POINTS
Finish	SATIN ST ST
Article Code	BTD090CS