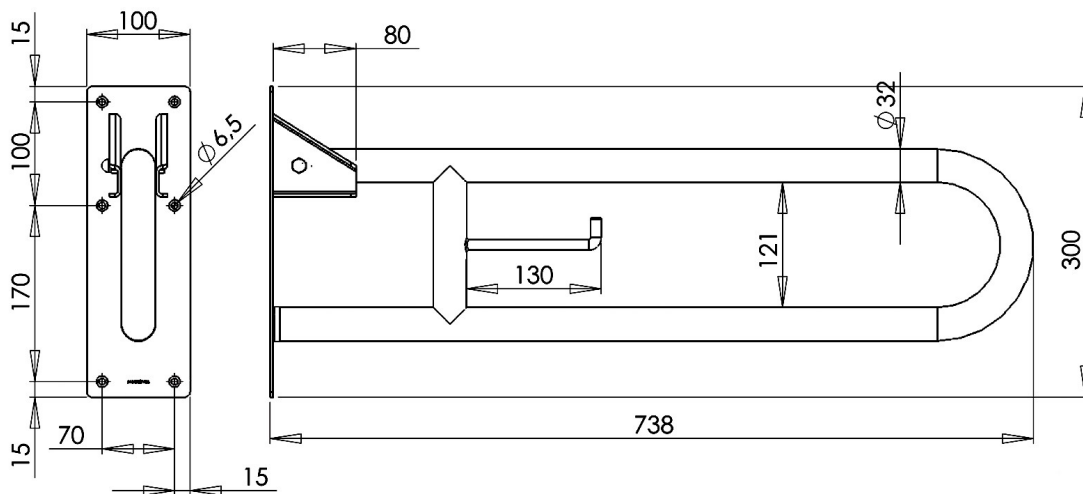
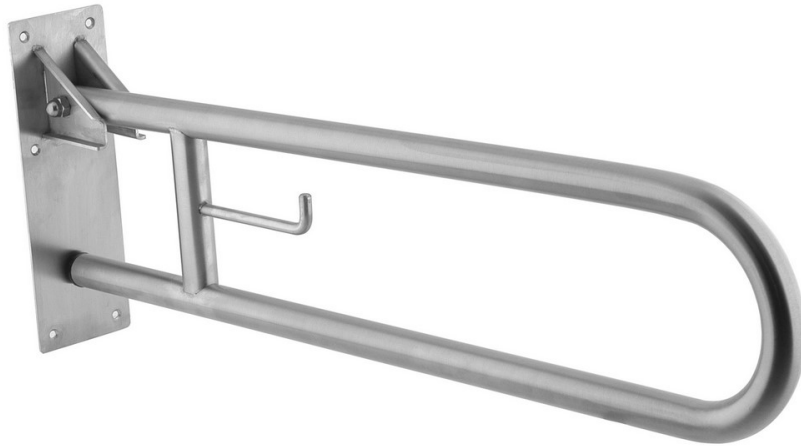




## SPECIFICATION SHEET



<b>Manufacturer</b>	MEDICLINICS
<b>Model</b>	MEDINOX
<b>Description</b>	VERTICAL SWING GRAB BAR
<b>Finish</b>	WHITE STEEL / BRIGH ST ST / SATIN ST ST
<b>Article Code</b>	BG0800 / BG0800C / BG0800CS