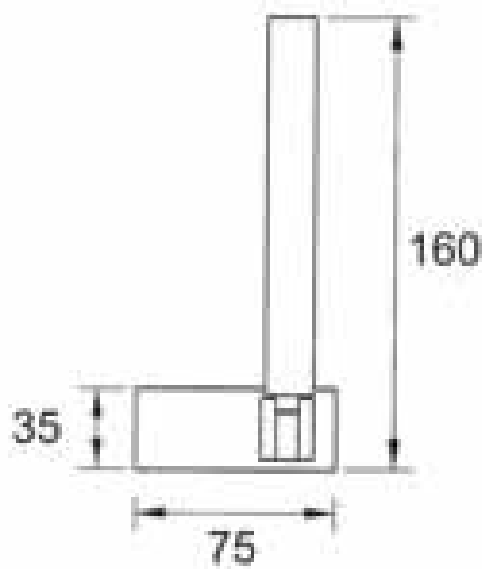




الركن الأوروبي ش.ذ.م.م.
EUROPEAN CORNER LLC

Al Wadi Building, Sheikh Zayed Road
P. O. Box 31840, Dubai
United Arab Emirates
Showroom Tel: +971 4 3356315
Office Tel: +971 4 3360601
Fax: +971 4 3360604
E-mail: gm@europeancorner-dubai.com

SPECIFICATION SHEET



Manufacturer	ITALMIX-ITALY
Model	DOCCE
Description	ABS SHATAFF SET COMPOSED BY HAND-SHOWER, FLEXIBLE HOSE AND WALL BRACKET.
Finish	WHITE
Article code	ZS 8800