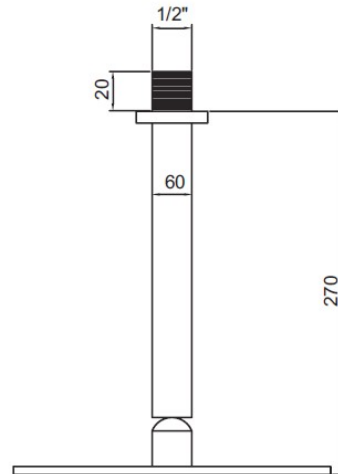




الركن الأوروبي  
ش.ذ.م.م.  
EUROPEAN CORNER LLC

Al Wadi Building, Sheikh Zayed Road  
P. O. Box 31840, Dubai  
United Arab Emirates  
Showroom Tel: +971 4 3356315  
Office Tel: +971 4 3360601  
Fax: +971 4 3360604  
E-mail: gm@europeancorner-dubai.com

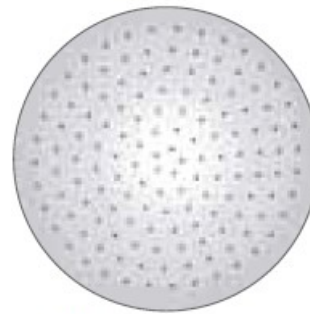
## SPECIFICATION SHEET



Ø 200 mm



Ø 300 mm



Ø 400 mm

<b>Manufacturer</b>	ITALMIX-ITALY
<b>Model</b>	DOCCE
<b>Description</b>	ANTI-LIMESTONE BRASS SHOWER-HEAD, "RAIN" JET, ULTRASLIM (2 MM), WATER SAVING WITH BRASS ARM 20CM AND SWIVEL JOINT.
<b>Finish</b>	CHROME
<b>Article code</b>	ZD 5223, ZD 5223/30, ZD 5223/40