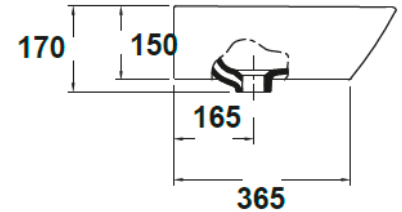
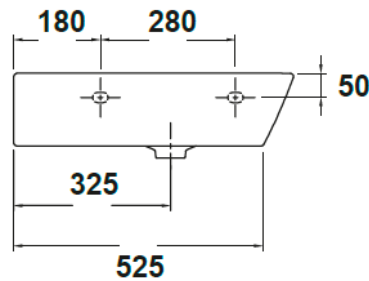
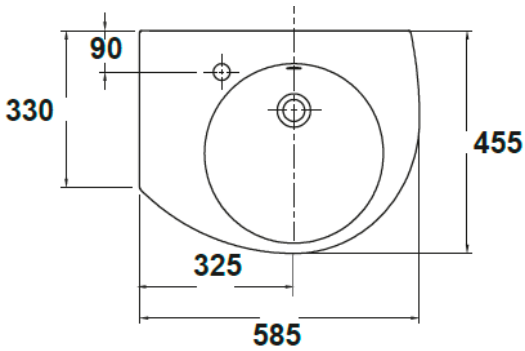




SPECIFICATION SHEET



Manufacturer	GALA GROUP OF ROCA-SPAIN
Model	STREET
Description	ASYMMETRICAL WASH BASIN WITH OVERFLOW AND FIXING KIT, Left-sided tap-hole Installation options available: pedestal, semipedestal (ref. 31433), wall-hung or over-counter
Finish	WHITE
Article Code	31040