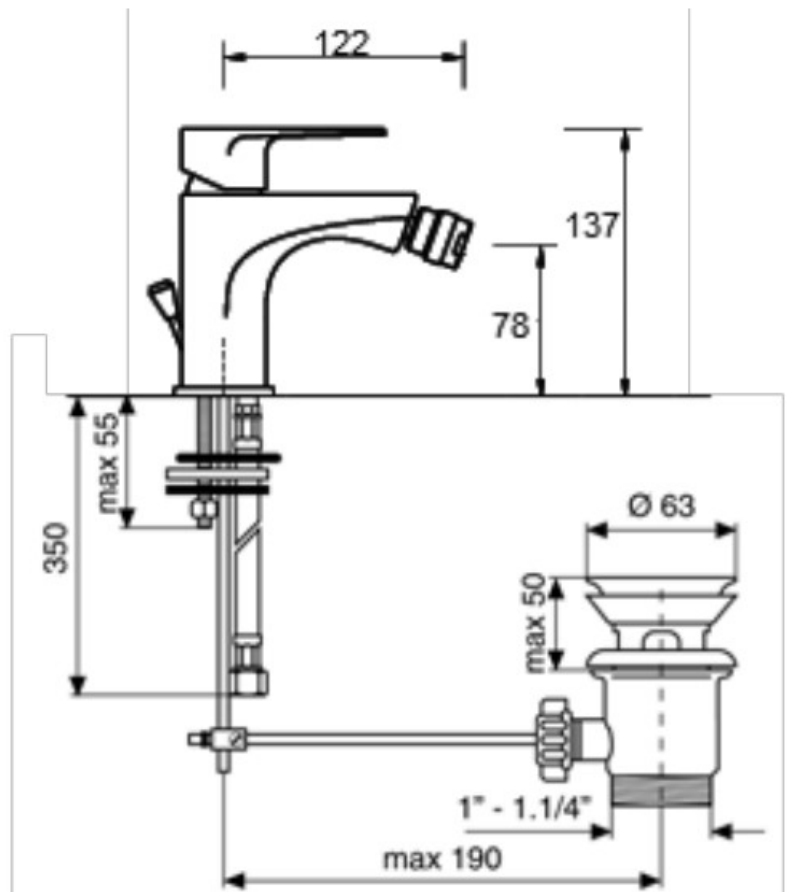




الركن الأوروبي ش.ذ.م.م.
EUROPEAN CORNER L.L.C

Al Wadi Building, Sheikh Zayed Road
P. O. Box 31840, Dubai
United Arab Emirates
Showroom Tel: +971 4 3356315
Office Tel: +971 4 3360601
Fax: +971 4 3360604
E-mail: gm@europeancorner-dubai.com



| | |
|--------------|--|
| Manufacturer | ITALMIX-ITALY |
| Model | EVOQUE |
| Description | SINGLE HOLE WASH BIDET MIXER WITH 1" 1/4 AUTOMATIC WASTE |
| Finish | CHROME |
| Article Code | EQ 0300 |