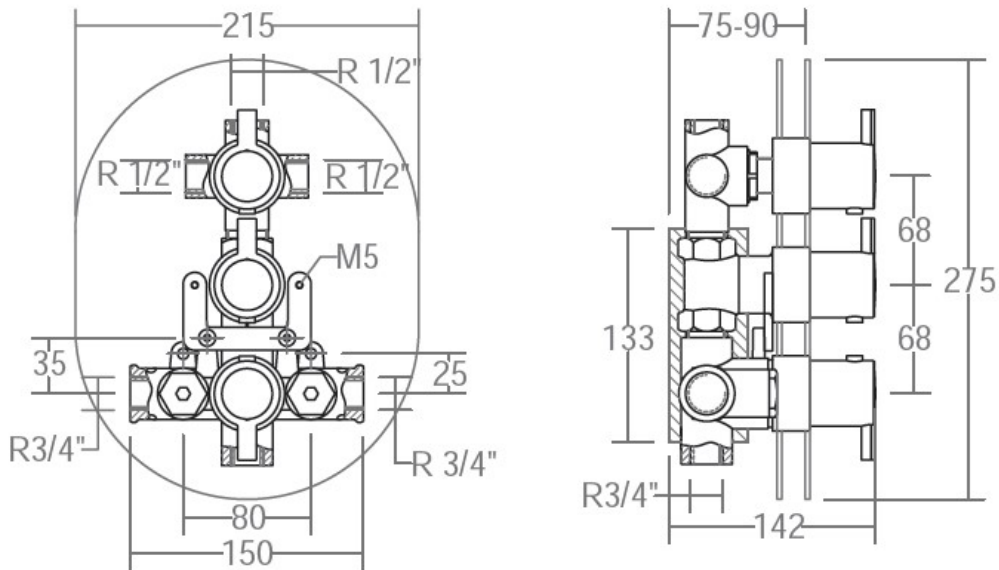




SPECIFICATION SHEET



Manufacturer	RAMON SOLER-SPAIN
Model	DRAKO
Description	CONCEALED THERMOSTIC SHOWER VALVE WITH 3 WAY DIVERTER
Finish	CHROME
Article Code	3327 S