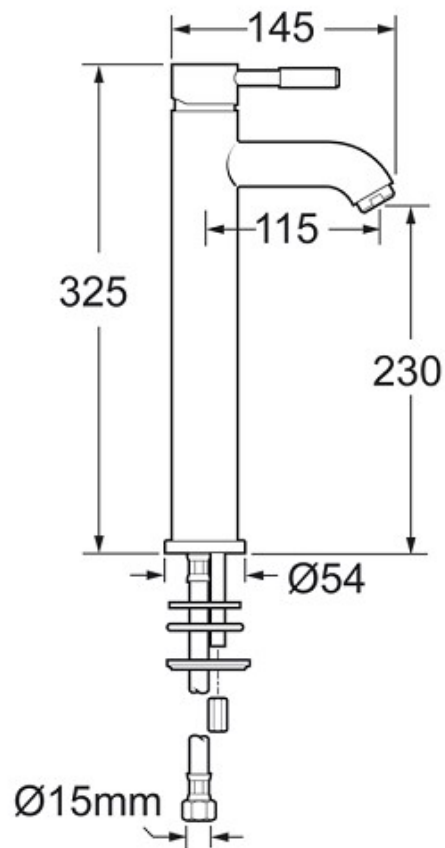




SPECIFICATION SHEET



Manufacturer	DEVA-UK
Model	VISION
Description	SINGLE LEVER TALL WASH BASIN MIXER WITH 2 FLEXIBLE HOSE
Finish	CHROME
Article code	VSN113/EX