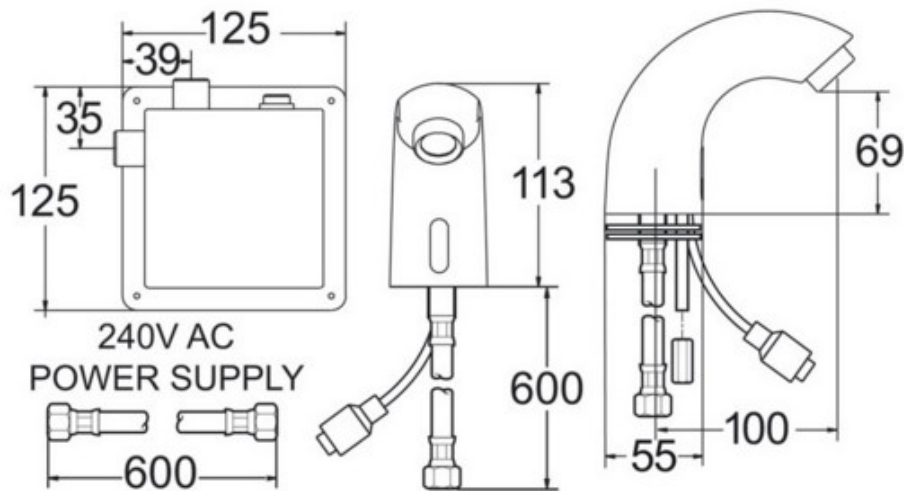




SPECIFICATION SHEET



- Mains operated with battery back-up.
- Vandal and scratch resistant sensor window.
- Moisture and water resistant control unit.
- Suitable for cold or premixed water.
- Maximum operational temperature 45°C.
- Minimum pressure required 0.5bar.
- Choice of battery or mains power.
- Battery operation requires 4 x AA batteries.



Manufacturer	DEVA-UK
Finish	CHROME
Article code	SENSOR 2/D