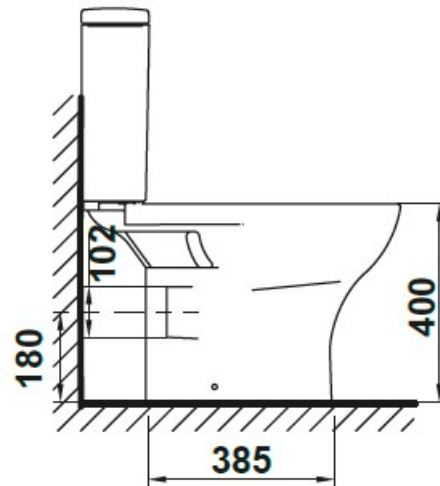
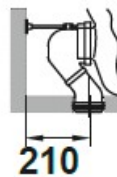
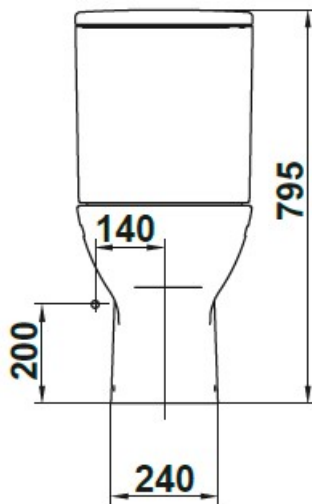
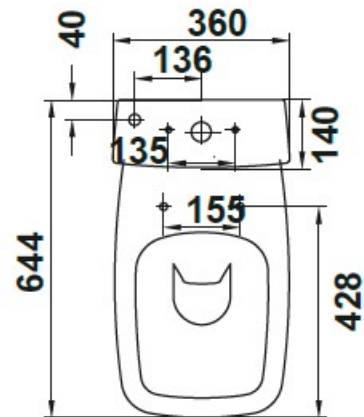




## SPECIFICATION SHEET



<b>Manufacturer</b>	GALA GROUP OF ROCA-SPAIN
<b>Model</b>	STREET SQUARE
<b>Description</b>	CLOSE-COUPLED WC WITH CISTERN, DUAL FLUSH MECHANISM 3/4.5L, SEAT AND COVER
<b>Finish</b>	WHITE
<b>Article Code</b>	05120 + 055410 + 51322