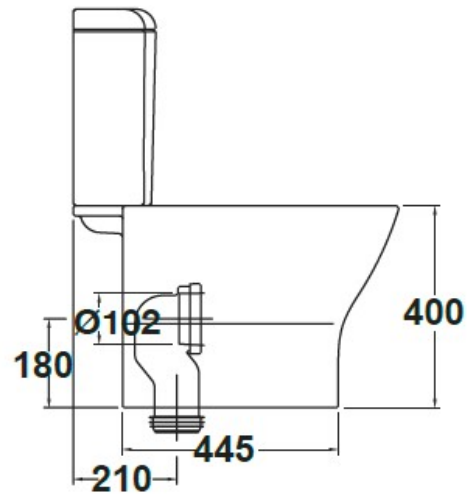
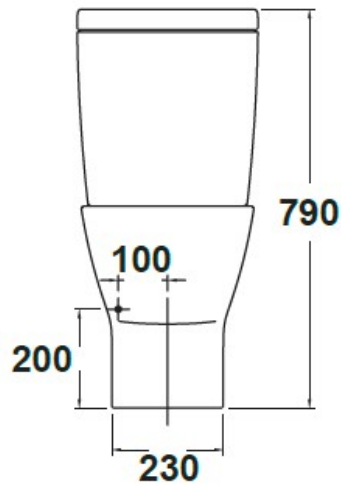
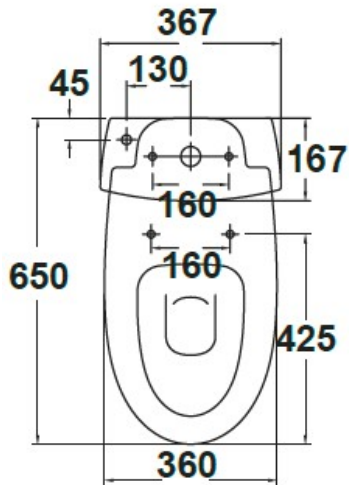




SPECIFICATION SHEET



| | |
|---------------------|---|
| Manufacturer | GALA GROUP OF ROCA-SPAIN |
| Model | JAZZ |
| Description | CLOSE-COUPLED WC PAN WITH CISTERN, DUAL FLUSH MECHANISM 3/6 L, SEAT AND COVER |
| Finish | WHITE |
| Article Code | 28120 + 28550 + 51234 |