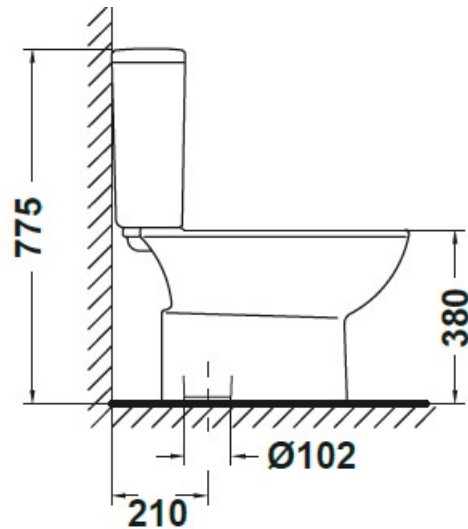
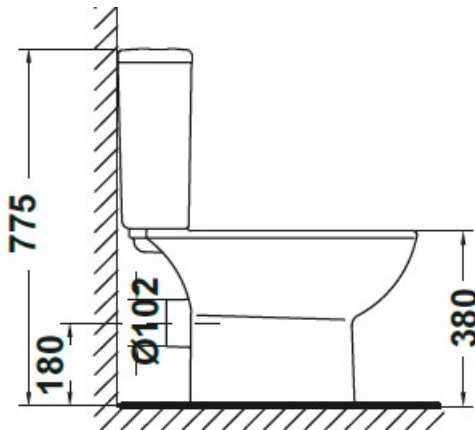
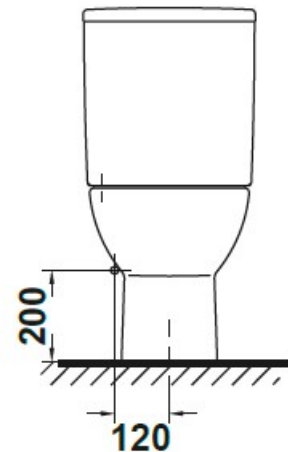
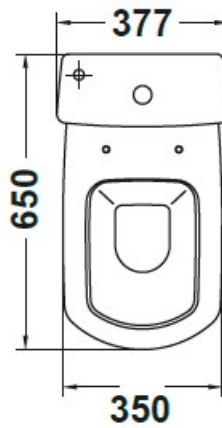




## SPECIFICATION SHEET



<b>Manufacturer</b>	GALA GROUP OF ROCA-SPAIN
<b>Model</b>	SMART
<b>Description</b>	CLOSE-COUPLED WC PAN WITH CISTERN, DUAL FLUSH MECHANISM 3/6 L, SEAT AND COVER
<b>Finish</b>	WHITE
<b>Article Code</b>	25150 + 25540 + 51617