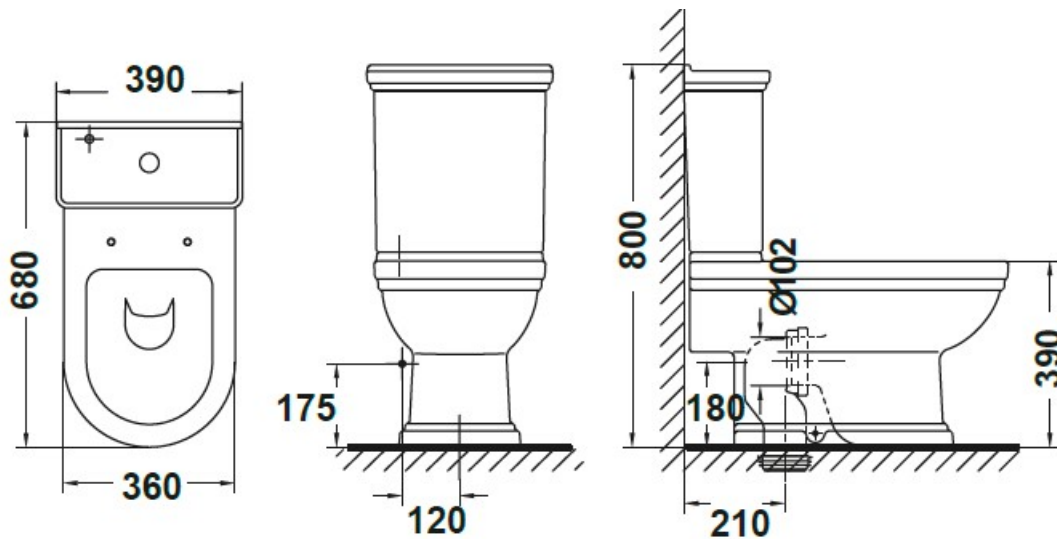




## SPECIFICATION SHEET



|                     |  |
|---------------------|--|
| <b>Manufacturer</b> | GALA GROUP OF ROCA-SPAIN   |
| <b>Model</b>        | NOBLE  |
| <b>Description</b>  | CLOSE-COUPLED WC PAN WITH CISTERN, DUAL FLUSH MECHANISM 3/6 L, WOODEN SEAT AND COVER |
| <b>Finish</b>       | WHITE  |
| <b>Article Code</b> | 12120 + 12540 + 5161001  |