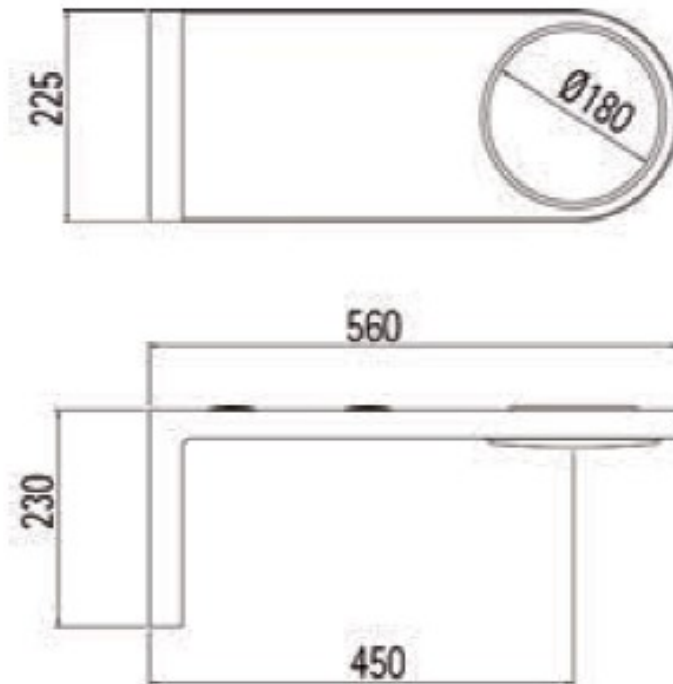




## SPECIFICATION SHEET



<b>Manufacturer</b>	RAMON SOLER-SPAIN
<b>Model</b>	HIDROCROM
<b>Description</b>	WALL MOUNTED HIDROCROM SHOWER
<b>Finish</b>	CR = Chrome, N = Black, B = White
<b>Article Code</b>	32101 HCM ( CR, N , B )